

Travel and Transport Timeline



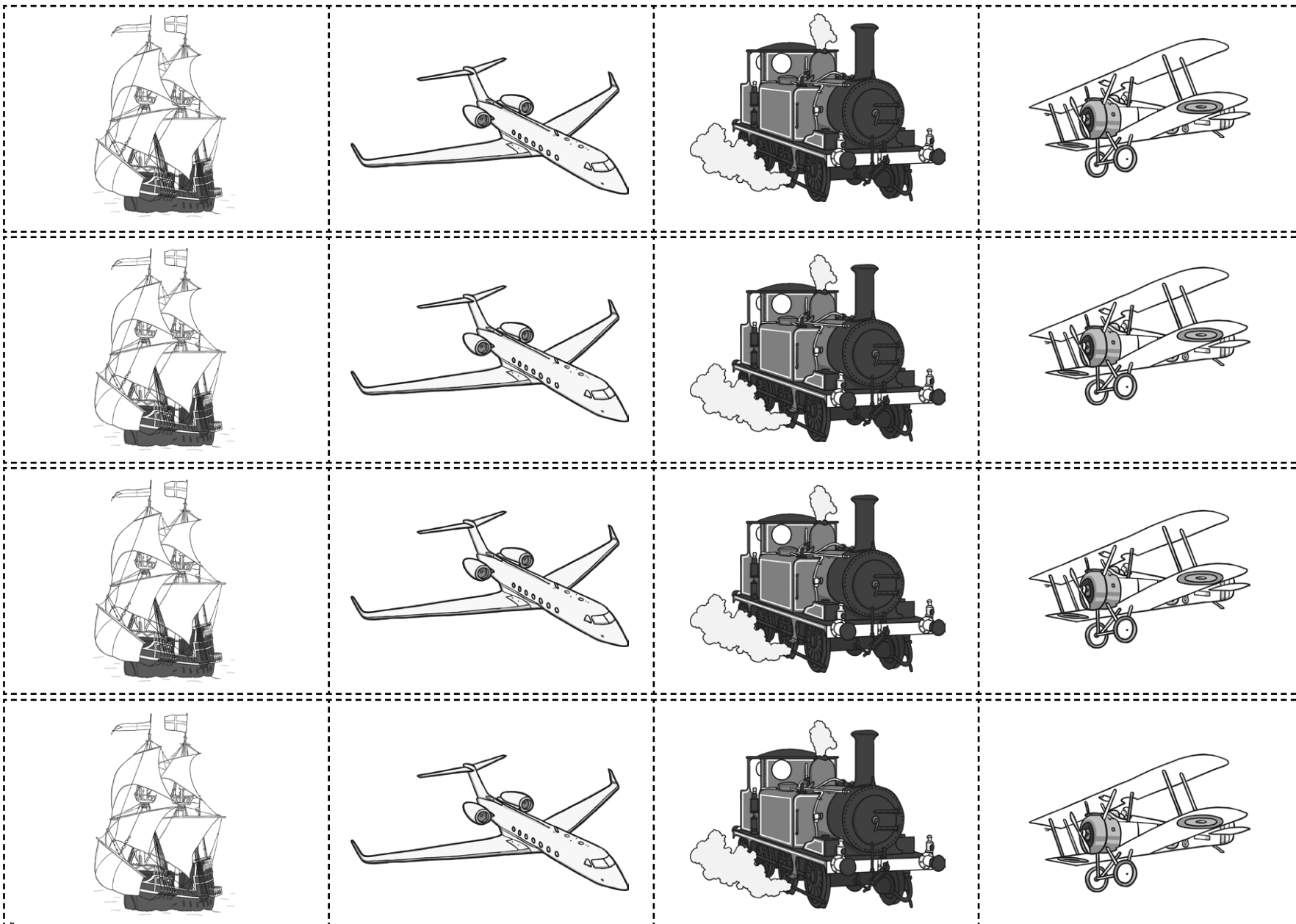
Can you put these types of transport in chronological order?

Cut out each picture and place them onto the timeline. Which is the oldest? Which is the newest?



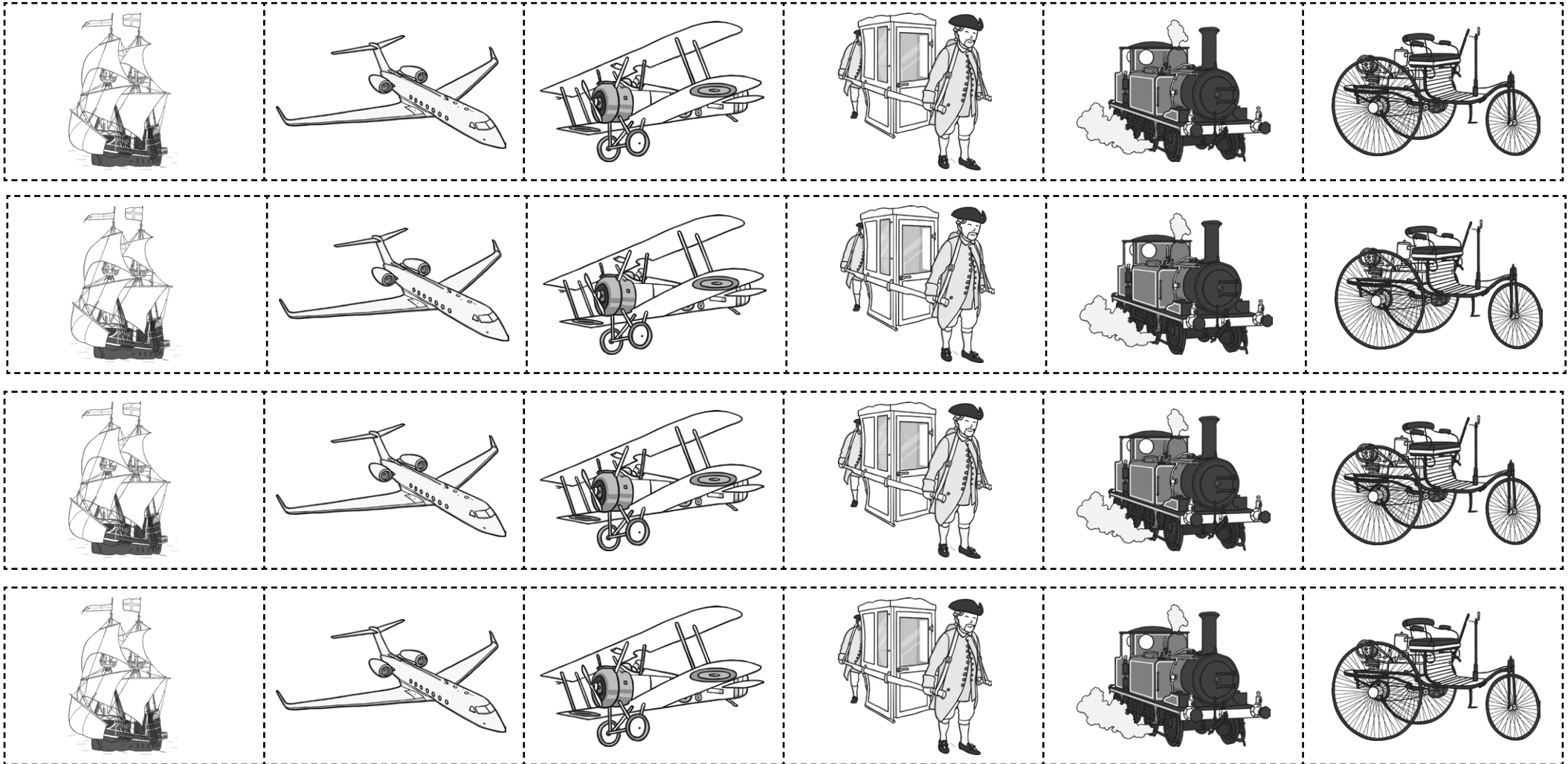


Travel and Transport Timeline Cut Outs





Travel and Transport Timeline Cut Outs





Travel and Transport Timeline

Can you complete these sentences about transport from long ago? Choose the words from the box below.

Penny farthings were _____ that were made over 100 years ago. They had a large _____ at the front and a small one at the back.

The first cars only had enough room for _____ people. They did not have _____ or a _____.

An omnibus was a bus pulled by _____.

Sailing ships have been used for hundreds of years. It is the _____ that pushes the sails to make the ship move.

car	bicycles	ship	boat
seat	chair	wheel	engine
six	two	three	four
doors	wheels	roof	seat
wolves	dogs	people	horses
wind	rain	engine	people

Can you write a sentence about any of these types of transport?

